

BIMETALLIC STEAM TRAPS AND AIR ELIMINATORS

BM 32

(DN ½" – 1"; DN 15 – 25)

DESCRIPTION

BM32 series bimetallic steam traps and air eliminators are simple and robust traps, recommended for steam process applications where condensate sensible heat can be recovered, steam tracing lines, drip points, storage tank coils, steam air venting, etc. The use of condensate sensible heat reduces the steam consumption.

Connections are female screwed or flanged.

MAIN FEATURES

Modulating discharge.

Discharges condensate below steam temperature.

Excellent air discharge.

Operates on superheated steam.

Unaffected by water hammer and vibrations.

Built-in strainer.



OPTIONS: Blowdown valve

USE: Saturated and superheated steam.

AVAILABLE

MODELS: BM32

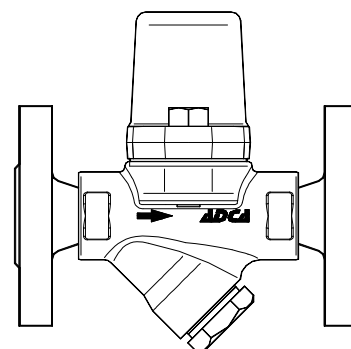
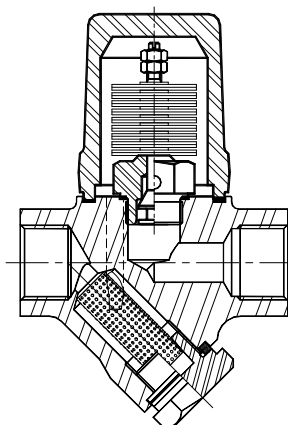
SIZES: DN ½" to 1"; DN15 to DN25.

CONNECTIONS: Female screwed ISO 7/1 Rp (BS21)

Flanged EN 1092-1 PN40 or ANSI

INSTALLATION: Horizontal installation recommended, can be installed in any position.

See IMI installation and maintenance instructions.



BODY LIMITING CONDITIONS

| FLANGED PN40 / ANSI 300 * | FLANGED ANSI 150 ** | RELATED TEMP. |
|------------------------------|------------------------|------------------|
| ALLOW. PRES. | ALLOW. PRES. | |
| 40 bar | 19,3 bar | 50 °C |
| 35 bar | 15,8 bar | 150 °C |
| 30,4 bar | 12,1 bar | 250 °C |
| 27,6 bar | 10,2 bar | 300 °C |

PMO - Max. operating pressure 32 bar

TMO - Max. operating temperature 300 °C

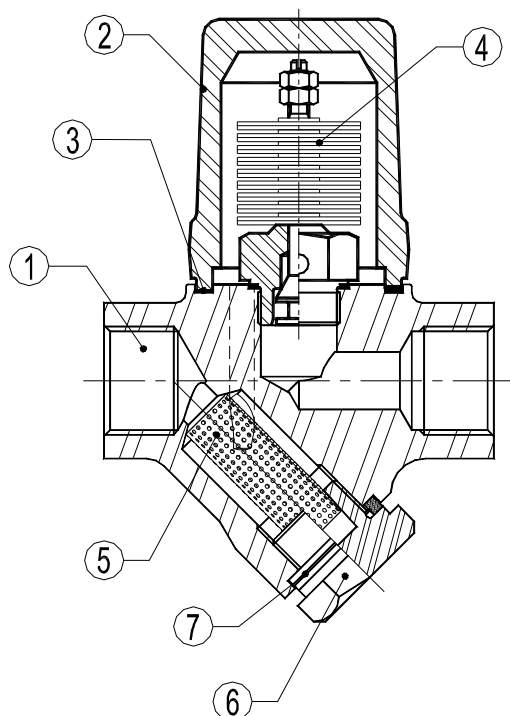
* According to EN1092-1:2007 ; ** Acc. to EN1759-1:2004

Body limiting conditions PN40 or below, depending on the type of connection adopted. Rating PN40 for thread, SW and BW.

FLOW RATE CAPACITY IN Kgs/h

| MODEL | SIZE DN | DIFFERENTIAL PRESSURE (bar) | | | | | | | | | | | | |
|-------|-----------|-----------------------------|------|------|------|------|------|------|------|------|------|------|------|------|
| | | 0,5 | 1 | 2 | 4 | 6 | 10 | 12 | 14 | 16 | 18 | 20 | 25 | 32 |
| BM32 | 15 - 25 A | 200 | 300 | 390 | 430 | 510 | 580 | 600 | 620 | 660 | 680 | 700 | 740 | 810 |
| BM32 | 15 - 25 B | 700 | 1000 | 1300 | 1530 | 1750 | 2050 | 2150 | 2250 | 2360 | 2480 | 2550 | 2750 | 2900 |

A = Condensate discharge at 10°C below saturation temperature. B = Cold water capacity at about 20°C.



| MATERIALS | | |
|-----------|-------------------|------------------------|
| POS.N r. | DESIGNATION | MATERIAL |
| 1 | Body | P250GH / 1.0460 |
| 2 | Cover | P250GH / 1.0460 |
| 3 | * Gasket | St.St./Graphite |
| 4 | * Valve assy. | Bimetal |
| 5 | * Strainer screen | AISI304 / 1.4301 |
| 6 | * Cover strainer | A 105 / 1.0432 |
| 7 | * Gasket | Stainless st./Graphite |
| 8 | Bolts | A2-70 |

* Available spare parts

| DIMENSIONS (mm) | | | | | | | | | | | |
|-----------------|----|----|----|----|----------|------------|----------|----------|----------|----------|----------|
| Screwed and SW* | | | | | | EN PN16/40 | | ANSI 150 | | ANSI 300 | |
| SIZE DN | A | B | C | D | WGT. Kgs | E | WGT. Kgs | E | WGT. Kgs | E | WGT. Kgs |
| 15-1/2" | 95 | 59 | 95 | 90 | 2,1 | 150 | 3,7 | 150 | 3,2 | 150 | 4 |
| 20-3/4" | 95 | 59 | 95 | 90 | 2,1 | 150 | 4,5 | 150 | 3,7 | 150 | 5,3 |
| 25-1" | 95 | 65 | 95 | 90 | 2,1 | 160 | 4,9 | 160 | 4,5 | 160 | 6,1 |

* BW (butt weld) on request.

